



1. THINK SAFETY, ALWAYS WEAR SAFETY GLASSES WHEN PERFORMING THE OPERATIONS PRESCRIBED IN THESE INSTRUCTIONS

2. READ ALL INSTRUCTIONS CAREFULLY BEFORE ATTEMPTING INSTALLATION

ASSEMBLY TOOLS NEEDED:

- Sockets 3/4"
- Wrenches 3/4"
- Two (2) 6" C-Clamps
- 10' long 2" x 4"

INSTALLATION NOTES:

1. Plow should have transport lock installed or be blocked up a couple of inches to provide clearance between wearstrip and ground. Do not work on unit while suspended by the hydraulic system.

Bolt Size	GR.2 Dry	GR.5 Dry	GR.8 Dry	Metric Size	GR.8.8 Dry
1/4"	66*	9	12	M8	17
5/16"	11	17	25	M10	35
3/8"	20	30	45	M12	60
7/16"	32	50	70	M14	95
1/2"	50	75	110	M16	155
9/16"	70	110	150		
5/8"	100	150	220		
3/4"	175	260	380		
7/8"	170	430	600		
1"	250	640	900		

NOTE: These torque values are to be used for all hardware. Unless otherwise specified, all torque values must meet this specification.
NOTE: All torque values are in Ft.-Lbs unless otherwise stated
*In-Lbs

Removal:

1. Use (2) 6" C-clamps to secure old polycarbonate blade to plow frame. Attach C-clamps at approximately the midpoint of the curve of the blade.
2. Remove wearstrip bolts and wearstrip.
3. Loosen C-clamps slowly to relieve tension in polycarbonate sheet.
4. Remove polycarbonate sheet.

Installation:

1. Clean blade frame.
2. Remove protective masking from one side of new polycarbonate sheet. Loosen masking at top and bottom edge of opposite side.
3. Lay the polycarbonate sheet on the blade frame with the masked side away from the plow. Align the polycarbonate sheet so that the end is 1/4" from the end rib of the blade frame. Insert the polycarbonate sheet into the retainer strip at the top of the plow. Start on one end and work your way across the blade frame while pressing sheet into curve of blade frame.
4. Place 2x4 on face of polycarbonate sheet and clamp to frame with a C-clamp at each end.
5. Slowly tighten clamps. At the same time force polycarbonate sheet into the curve of the blade frame.
6. When polycarbonate sheet is tight against frame, install the wearstrip and wearstrip bolts. Make sure the sheet is in proper location. See fig. 1-1.

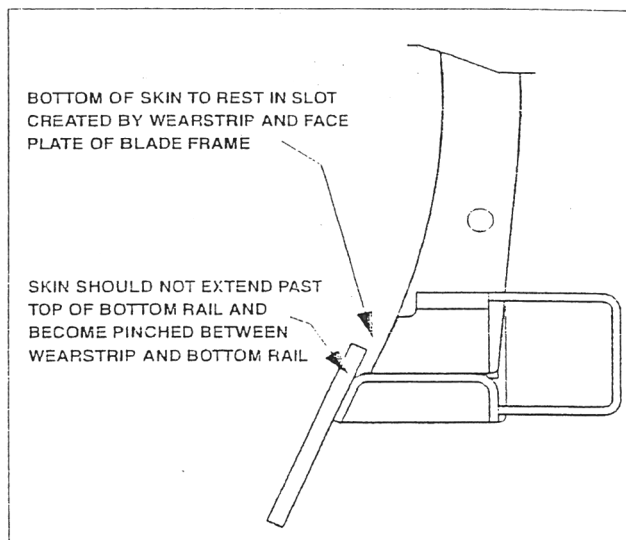
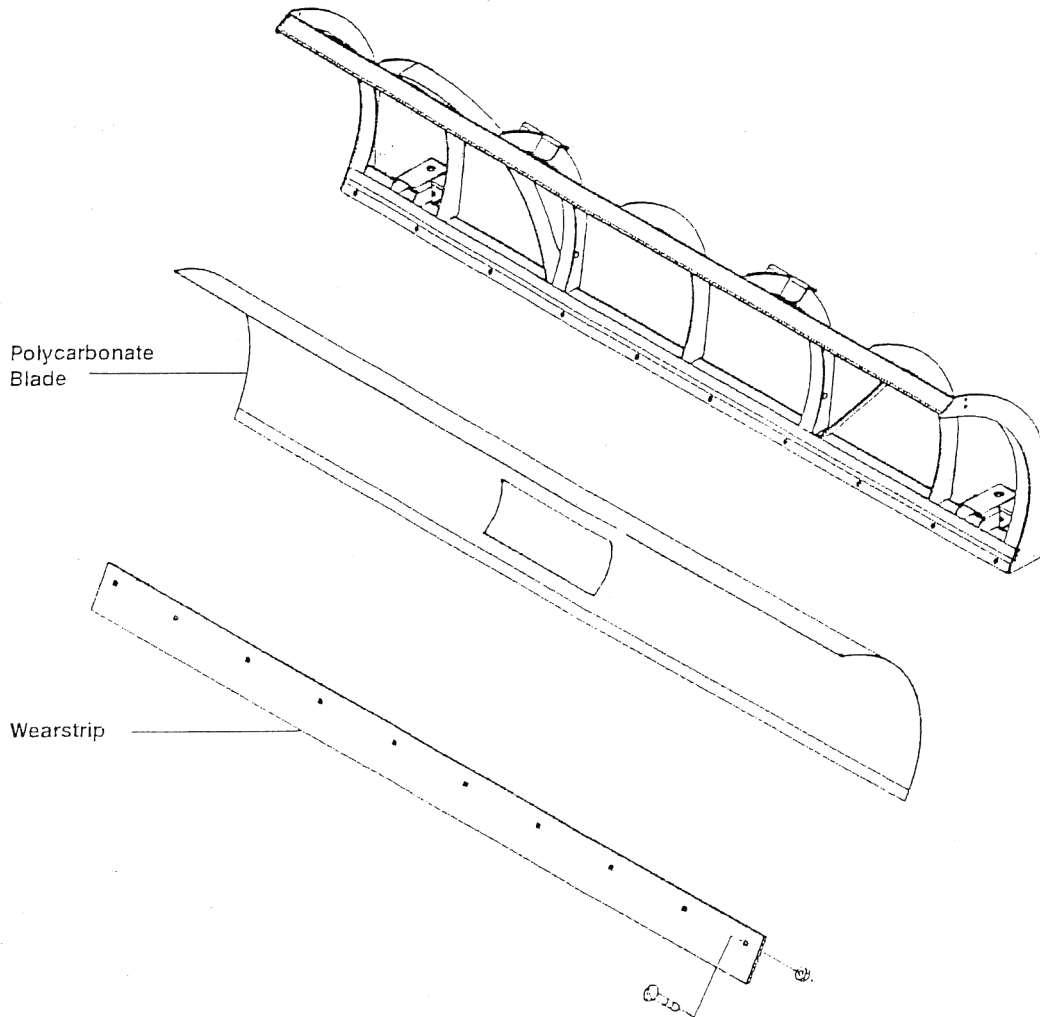


Fig. 1-1

7. Tighten all fasteners in wearstrip to specifications in Torque Specification Chart above.
8. Remove C-clamps and 2x4.
9. Remove protective masking from front side of polycarbonate sheet.
10. Remove blocking.

Polycarbonate Flat Sheet Replacement Instructions



SNO-WAY® INTERNATIONAL, INC.



Hartford, WI 53027 USA
Website: www.snoway.com
©2002 Sno-Way® International

97100883A